

RB (CD287B)

- 耐高温，高可靠性品。High temperature high reliability.
- 130°C，2000-5000 小时。Endurance: 130°C 2000-5000 hrs.
- 符合 RoHS。RoHS Compliant.

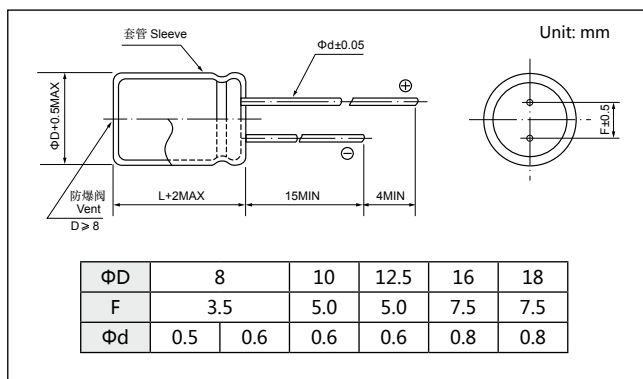


主要技术性能 Specifications

项目 Item	特性 Performance Characteristics																									
工作温度范围 Operating Temperature Range	-40~+130°C																									
额定电压范围 Rated Voltage Range	10~100V																									
标称电容容量范围 Nominal Capacitance Range	1~4700µF																									
标称电容容量允许偏差 Capacitance Tolerance	±20%(+20°C, 120Hz)																									
漏电流 Leakage Current	I ≤ 0.01CV or 3µA (2 分钟) (after 2 minutes at 20°C application of rated voltage)																									
损耗角正切值 (tgδ) Dissipation Factor (+20°C, 120Hz)	<table border="1"> <tr> <td>U_R(V)</td> <td>10</td> <td>16</td> <td>25</td> <td>35</td> <td>50</td> <td>63</td> <td>100</td> </tr> <tr> <td>tgδ</td> <td>0.20</td> <td>0.16</td> <td>0.14</td> <td>0.12</td> <td>0.10</td> <td>0.09</td> <td>0.08</td> </tr> </table>		U _R (V)	10	16	25	35	50	63	100	tgδ	0.20	0.16	0.14	0.12	0.10	0.09	0.08								
U _R (V)	10	16	25	35	50	63	100																			
tgδ	0.20	0.16	0.14	0.12	0.10	0.09	0.08																			
温度特性 Temperature Characteristics (Impedance ratio at 120Hz)	<table border="1"> <tr> <td>U_R(V)</td> <td>10</td> <td>16</td> <td>25</td> <td>35</td> <td>50</td> <td>63</td> <td>100</td> </tr> <tr> <td>Z-25°C / +20°C</td> <td colspan="2">3</td> <td colspan="5">2</td> </tr> <tr> <td>Z-40°C / +20°C</td> <td>6</td> <td>4</td> <td colspan="5">3</td> </tr> </table>		U _R (V)	10	16	25	35	50	63	100	Z-25°C / +20°C	3		2					Z-40°C / +20°C	6	4	3				
U _R (V)	10	16	25	35	50	63	100																			
Z-25°C / +20°C	3		2																							
Z-40°C / +20°C	6	4	3																							
耐久性 Load Life	<p>+130°C环境中，加载直流电压与额定纹波电流后，待温度恢复到 20°C时，应满足以下要求： The following specifications shall be satisfied when the capacitors are restored to 20°C after subjected to DC voltage with the rated ripple current is applied at 130°C： 电容容量变化率 Capacitance change : ±30% 初始测量值以内 ±30% of the initial measured value 漏电流 Leakage current : ≤初始规定值 ≤ the initial specified value 损耗角正切值 Dissipation factor : ≤ 3 倍初始规定值 ≤ 300% of the initial specified value</p>	<table border="1"> <tr> <th>Case Size</th> <th>Life Time(hrs)</th> </tr> <tr> <td>ΦD=8</td> <td>2000</td> </tr> <tr> <td>ΦD=10</td> <td>3000</td> </tr> <tr> <td>ΦD ≥ 12.5</td> <td>5000</td> </tr> </table>	Case Size	Life Time(hrs)	ΦD=8	2000	ΦD=10	3000	ΦD ≥ 12.5	5000																
Case Size	Life Time(hrs)																									
ΦD=8	2000																									
ΦD=10	3000																									
ΦD ≥ 12.5	5000																									
高温贮存 Shelf Life	<p>+130°C环境中，无负荷放置 1000 小时后，待电容温度恢复到 20°C时，应满足以下要求： The following specifications shall be satisfied when the capacitors are restored to 20°C after exposing them for 1000 hours at 130°C without voltage applied: 电容容量变化率 Capacitance change : ±30% 初始测量值以内 ±30% of the initial measured value 漏电流 Leakage current : ≤ 5 倍初始规定值 ≤ 500% of the initial specified value 损耗角正切值 Dissipation factor : ≤ 3 倍初始规定值 ≤ 300% of the initial specified value</p>																									

Low Impedance

外形图及尺寸 Diagram of Dimensions



纹波电流修正系数 Multiplier for Ripple Current

频率系数 Frequency coefficient

Frequency (Hz)	50/60	120	1K	10K	100K
Cap < 10	0.35	0.42	0.60	0.80	1.00
10 ≤ Cap < 47	0.45	0.55	0.75	0.90	1.00
47 ≤ Cap < 470	0.60	0.70	0.85	0.95	1.00
470 ≤ Cap < 2200	0.65	0.75	0.90	0.98	1.00
Cap ≥ 2200	0.75	0.80	0.95	1.00	1.00

额定值标准 *Standard Size*

Rated Voltage (V _{dc})	Capacitance (μF)	Size ΦD×L (mm)	tanδ	Rated ripple current (mArms) 130°C /100KHz
10 (13) 1A	330	8×11.5	0.20	360
	470	10×12.5	0.20	620
	1000	10×20	0.20	960
	2200	12.5×25	0.22	1430
	3300	16×25	0.24	1900
	4700	16×30	0.26	2300
16 (20) 1C	330	8×11.5	0.16	360
	470	10×12.5	0.16	620
	1000	10×20	0.16	960
	2200	12.5×25	0.18	1430
	3300	16×30	0.20	2300
	4700	16×35	0.22	2550
25 (32) 1E	220	8×11.5	0.14	360
	330	10×12.5	0.14	620
	470	10×16	0.14	800
	1000	12.5×20	0.14	1100
	2200	16×30	0.16	2300
	3300	16×35	0.18	2550
35 (44) 1V	100	8×11.5	0.12	360
	220	10×12.5	0.12	620
	330	10×16	0.12	800
	470	10×20	0.12	960
	1000	12.5×25	0.12	1430
	2200	16×35	0.14	2550
	3300	18×35	0.16	2800
50 (63) 1H	1	8×11.5	0.10	35
	2.2	8×11.5	0.10	50
	3.3	8×11.5	0.10	70
	4.7	8×11.5	0.10	100
	10	8×11.5	0.10	200
	22	8×11.5	0.10	260
	33	8×11.5	0.10	300
	47	8×11.5	0.10	300
	100	10×12.5	0.10	520
	220	10×20	0.10	890
	330	12.5×20	0.10	1000
	470	12.5×25	0.10	1200
	1000	16×30	0.10	2180
2200	18×40	0.12	2800	

Rated Voltage (V _{dc})	Capacitance (μF)	Size ΦD×L (mm)	tanδ	Rated ripple current (mArms) 130°C /100KHz
63 (79) 1J	33	8×11.5	0.09	250
	47	10×12.5	0.09	400
	100	10×16	0.09	450
	220	12.5×20	0.09	820
	330	12.5×25	0.09	1000
	470	16×25	0.09	1500
	1000	16×30	0.09	1850
	1500	18×40	0.09	2350
	100 (125) 2A	4.7	8×11.5	0.08
10		8×11.5	0.08	200
22		8×11.5	0.08	220
33		10×12.5	0.08	260
47		10×16	0.08	330
100		12.5×20	0.08	670
220		16×25	0.08	1100
330		16×30	0.08	1300
470	18×30	0.08	1600	

可根据客户需要定制产品 Customer products are available on request.