

HT 特长寿命, 耐高温性能优异 (CD26GT)

- 保证寿命: 130°C 4000 小时, 105°C 16000 小时。Ensure life: 130°C 4000 hrs, 105°C 16000 hrs.
- 特长寿命, 耐高温性能优异。Extremely long life, high temperature.
- 专为高端 LED 照明、电子节能灯、电子镇流器设计。
Especially designed for LED lighting, electronic energy saving lamps, electronic ballast.
- 符合 RoHS。RoHS Compliant.

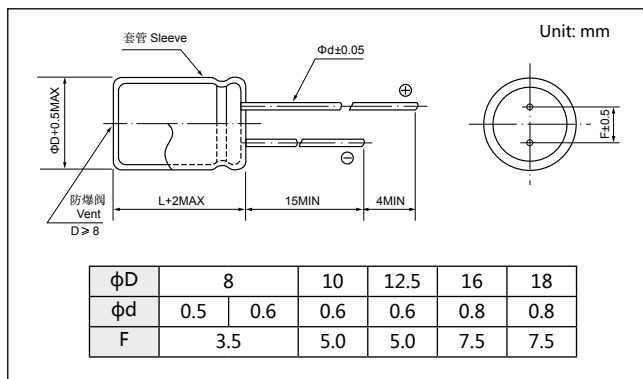


主要技术性能 Specifications

项目 Item	特性 Performance Characteristics						
工作温度范围 Operating Temperature Range	-40~+130°C (160~400V) -25~+130°C (450V)						
额定电压范围 Rated Voltage Range	160~450V						
标称容量范围 Nominal Capacitance Range	1~220µF						
标称容量允许偏差 Capacitance Tolerance	±20%(+20°C, 120Hz)						
漏电流 Leakage Current	160~400V	450V					I: 漏电流 Leakage current (µA) C: 静电容量 Nominal capacitance (µF) V: 额定电压 Rated Voltage (V) (20°C, 2 分钟 minutes)
	$I \leq 0.02CV + 10\mu A$	$I \leq 0.03CV + 10\mu A$					
损耗角正切值 (tgδ) Dissipation Factor (+20°C, 120Hz)	$U_r(V)$	160	200	250	350	400	450
	tgδ	0.08	0.08	0.08	0.08	0.08	0.10
温度特性 Temperature Characteristics (Impedance ratio at 120Hz)	$U_r(V)$	160	200	250	350	400	450
	Z-25°C / +20°C	3	3	3	5	5	6
	Z-40°C / +20°C	6	6	6	6	6	-
耐久性 Load Life	在 130°C 环境中, 连续加载直流电压与额定纹波电流 (所加电压峰值不超过额定工作电压) 4,000 小时后; 或者在 105°C 环境中, 连续加载额定直流电压 16,000 小时后, 待温度恢复到 20°C 进行测量时, 应满足以下要求: After application of the rated DC voltage with rated ripple current (the voltage peak is not more than rated voltage) at 105°C 16,000 hours, measuring the parameters when the capacitors are restored to 20°C, the capacitors shall meet the requirements as below: 电容量变化率 Capacitance change: ±30% 初始测量值以内 ±30% of the initial measured value 损耗角正切值 Dissipation factor: ≤ 3 倍初始规定值 300% of the initial specified value 漏 电 流 Leakage current: ≤ 初始规定值 the initial specified value						
高温贮存 Shelf Life	在 105°C 环境中, 无负荷放置 1000 小时后, 待温度恢复到 20°C 进行测量时, 应满足以下要求: The following specifications shall be satisfied when the capacitors are restored to 20°C after exposing them for 1,000 hours at 105°C without voltage application. 电容量变化率 Capacitance change: ±20% 初始测量值以内 ±20% of the initial measured value 损耗角正切值 Dissipation factor: ≤ 2 倍初始规定值 200% of the initial specified value 漏 电 流 Leakage current: ≤ 2 倍初始规定值 200% of the initial specified value						

High Stability

外形图及尺寸 Diagram of Dimensions



纹波电流修正系数 Multiplier for Ripple Current

频率系数 Frequency coefficient

Frequency(Hz)	120	1K	10K	100K	
Coefficient	160-450	0.50	0.80	0.90	1.00

额定值标准 Standard Size

Rated Voltage (V _{dc})	Capacitance (μF)	Size ΦD×L (mm)	tanδ	Rated ripple current (mA _{rms}) 105°C /100KHz	Rated Voltage (V _{dc})	Capacitance (μF)	Size ΦD×L (mm)	tanδ	Rated ripple current (mA _{rms}) 105°C /100KHz	
160V (2C)	3.3	8x12	0.08	70	350V (2V)	5.8	10x20	0.08	115	
	4.7	8x12	0.08	72			12.5x20	0.08	121	
	5.6	8x16	0.08	81		6.8	10x20	0.08	167	
	6.8	8x16	0.08	88			12.5x20	0.08	176	
	8.2	10x16	0.08	96		8.2	12.5x20	0.08	192	
	10	10x16	0.08	200		10	12.5x20	0.08	224	
	15	10x16	0.08	336		15	12.5x25	0.08	240	
	22	10x20	0.08	400		22	16x25	0.08	280	
	33	12.5x20	0.08	400		33	16x30	0.08	400	
	47	12.5x25	0.08	528		47	18x30	0.08	528	
	68	16x25	0.08	608		68	18x35	0.08	680	
	100	16x25	0.08	896		400V (2G)	1	8x12	0.08	50
	150	18x30	0.08	1088			1.5	8x16	0.08	67
220	18x35	0.08	1120	1.8	8x16		0.08	72		
200V (2D)	2.8	8x12	0.08	64	2.2		10x16	0.08	73	
	3.3	8x12	0.08	73	2.8		10x16	0.08	80	
	4.7	8x16	0.08	80	3.3		10x16	0.08	83	
	5.6	8x16	0.08	86			10x20	0.08	88	
	6.8	8x16	0.08	94	4.7		10x20	0.08	99	
	8.2	10x16	0.08	168			12.5x20	0.08	104	
	10	10x16	0.08	200	5.6		12.5x20	0.08	112	
	15	10x20	0.08	336	6.8		12.5x20	0.08	176	
	22	12.5x20	0.08	400	8.2		12.5x20	0.08	208	
	33	12.5x25	0.08	480	10		12.5x20	0.08	224	
	47	12.5x25	0.08	528		12.5x25	0.08	235		
	68	16x25	0.08	608	15	12.5x25	0.08	256		
	100	16x30	0.08	896	22	16x25	0.08	344		
150	18x35	0.08	1088	33	16x30	0.08	512			
220	18x45	0.08	1360		18x30	0.08	569			
250V (2E)	2.2	8x12	0.08	64	47	18x35	0.08	672		
	2.8	8x12	0.08	68	68	18x40	0.08	800		
	3.3	8x12	0.08	72	450V (2W)	1.5	8x16	0.1	50	
	4.7	8x16	0.08	84		1.8	8x16	0.1	52	
	5.6	10x16	0.08	88		2.2	10x16	0.1	64	
	6.8	10x16	0.08	96		2.8	10x16	0.1	72	
	8.2	10x16	0.08	104		3.3	10x16	0.1	76	
	10	10x16	0.08	200			10x20	0.1	80	
		10x20	0.08	224		4.7	10x20	0.1	83	
	15	10x20	0.08	300			12.5x20	0.1	88	
	22	12.5x20	0.08	420		5.6	12.5x20	0.1	92	
	33	12.5x25	0.08	480		6.8	12.5x20	0.1	96	
	47	16x25	0.08	576		8.2	12.5x20	0.1	104	
68	16x30	0.08	736	10		12.5x20	0.1	212		
100	18x30	0.08	960			12.5x25	0.1	224		
150	18x40	0.08	1200	15	12.5x25	0.1	342			
350V (2V)	1	8x12	0.08		51	16x25	0.1	360		
	1.5	8x16	0.08	56	22	16x25	0.1	420		
	1.8	8x16	0.08	62		16x30	0.1	460		
	2.2	10x16	0.08	70	33	16x30	0.1	480		
	2.8	10x16	0.08	76		16x35	0.1	510		
	3.3	10x16	0.08	84	47	18x35	0.1	576		
	4.7	10x20	0.08	105	68	18x40	0.1	736		
				100	18x50	0.1	960			

High Stability