

HA 小体积, 高稳定, 长寿命品 (CD26GA)

- 小体积, 高稳定, 长寿命品。Miniaturized, high stability, long life.
- 保证寿命: 130°C 2000 小时, 105°C 10000 小时。Ensure life: 130°C 2000 hrs, 105°C 10000 hrs.
- 专为高端 LED 驱动、电子镇流器、电子节能灯设计。
Especially designed for LED driver, electronic ballast, electronic energy saving lamps.
- 符合 RoHS。RoHS Compliant.

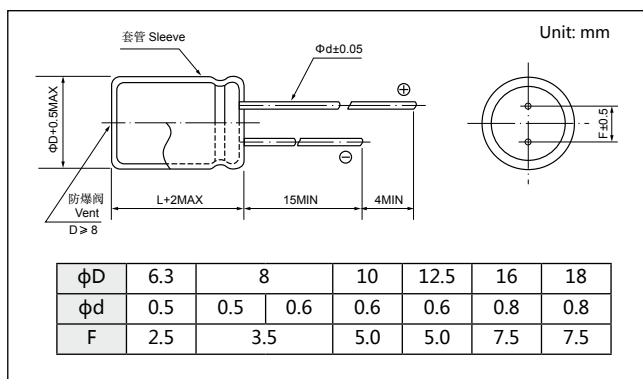


主要技术性能 Specifications

项目 Item	特性 Performance Characteristics								
工作温度范围 Operating Temperature Range	-40~+130°C (160~400V) -25~+130°C (450V) -25~+105°C (500V)								
额定电压范围 Rated Voltage Range	160~500V								
标称容量范围 Nominal Capacitance Range	1~220µF								
标称容量允许偏差 Capacitance Tolerance	±20%(+20°C, 120Hz)								
漏电流 Leakage Current	160~400V	450~500V						I: 漏电流 Leakage current (µA) C: 静电容量 Nominal capacitance (µF) V: 额定电压 Rated Voltage (V) (20°C, 2 分钟 minutes)	
	$I \leq 0.02CV + 10\mu A$	$I \leq 0.03CV + 10\mu A$							
损耗角正切值 (tgδ) Dissipation Factor (+20°C, 120Hz)	$U_R(V)$	160	200	250	350	400	450	500	
	tgδ	0.15	0.15	0.15	0.20	0.20	0.20	0.24	
温度特性 Temperature Characteristics (Impedance ratio at 120Hz)	$U_R(V)$	160	200	250	350	400	450	500	
	Z-25°C / +20°C	3	3	3	5	5	6	6	
	Z-40°C / +20°C	6	6	6	6	6	-	-	
耐久性 Load Life	<p>在 130°C 环境中, 连续加载额定直流电压 2,000 小时后 (工作电压为 160~450 V_{dc} 产品); 或者在 105°C 环境中, 连续加载直流电压与额定纹波电流 (所加电压峰值不超过额定工作电压) 10,000 小时后 (工作电压为 500 V_{dc} 的产品为 8,000), 待温度恢复到 20°C 进行测量时, 应满足以下要求。</p> <p>After application of the rated DC voltage at 130°C 2,000 hours (WV:160~450V_{dc}) or application of DC voltage with rated ripple current (the voltage peak is not more than rated voltage) at 105°C 10,000 hours (WV:500V_{dc} for 8,000 hours), measuring the parameters when the capacitors are restored to 20°C, the capacitors shall meet the requirements as below:</p> <p>电容量变化率 Capacitance change: ±20% 初始测量值以内 ±20% of the initial measured value 损耗角正切值 Dissipation factor: ≤ 2 倍初始规定值 200% of the initial specified value 漏电流 Leakage current: ≤ 初始规定值 the initial specified value</p>								
高温贮存 Shelf Life	<p>在 105°C 环境中, 无负荷放置 1000 小时后, 待温度恢复到 20°C 进行测量时, 应满足以下要求:</p> <p>The following specifications shall be satisfied when the capacitors are restored to 20°C after exposing them for 1,000 hours at 105°C without voltage application.</p> <p>电容量变化率 Capacitance change: ±20% 初始测量值以内 ±20% of the initial measured value 损耗角正切值 Dissipation factor: ≤ 2 倍初始规定值 200% of the initial specified value 漏电流 Leakage current: ≤ 2 倍初始规定值 200% of the initial specified value</p>								

High Stability

外形图及尺寸 Diagram of Dimensions



纹波电流修正系数 Multiplier for Ripple Current

频率系数 Frequency coefficient

Frequency(Hz)	120	1K	10K	100K
Coefficient	160-500	0.50	0.80	0.90

额定值标准 Standard Size

Rated Voltage (V _{dc})	Capacitance (μF)	Size ΦD×L (mm)	tanδ	Rated ripple current (mArms) 105°C /100KHz	Rated Voltage (V _{dc})	Capacitance (μF)	Size ΦD×L (mm)	tanδ	Rated ripple current (mArms) 105°C /100KHz	
160V (2C)	1	6.3x12	0.15	45	350V (2V)	2.8	8x12	0.2	95	
	1.5	6.3x12	0.15	50		3.3	8x12	0.2	108	
	1.8	6.3x12	0.15	55		4.7	8x16	0.2	128	
	2.2	6.3x12	0.15	61		5.6	8x16	0.2	162	
	2.8	6.3x12	0.15	78		6.8	8x20	0.2	215	
	3.3	6.3x12	0.15	92		8.2	8x20	0.2	220	
	4.7	8x12	0.15	100		10	8x20	0.2	260	
	5.6	8x12	0.15	107		15	10x20	0.2	380	
	6.8	8x16	0.15	115		22	12.5x20	0.2	525	
	8.2	8x16	0.15	189		33	12.5x20	0.2	600	
	10	8x16	0.15	275			16x20	0.2	650	
	15	8x20	0.15	340		47	16x20	0.2	700	
	22	10x16	0.15	475		68	18x20	0.2	780	
	33	10x20	0.15	650			18x25	0.2	850	
	47	10x20	0.15	750		82	18x25	0.2	1000	
	68	12.5x20	0.15	1180		1	8x12	0.2	70	
	200V (2D)	100	12.5x20	0.15		1350	1.5	8x12	0.2	76
			12.5x25	0.15		1420	1.8	8x12	0.2	85
150		16x25	0.15	1890	2.2	8x12	0.2	90		
220		18x25	0.15	2370	2.8	8x16	0.2	99		
1		6.3x12	0.15	58	3.3	8x16	0.2	108		
1.5		6.3x12	0.15	66	4.7	8x20	0.2	130		
1.8		6.3x12	0.15	70	5.6	8x20	0.2	175		
2.2		6.3x12	0.15	81	6.8	10x16	0.2	215		
2.8		6.3x12	0.15	88	8.2	10x20	0.2	240		
3.3		6.3x12	0.15	112	10	10x20	0.2	275		
4.7		6.3x12	0.15	115	12	12.5x20	0.2	300		
		8x12	0.15	120	15	12.5x20	0.2	360		
5.6		8x12	0.15	126	22	12.5x25	0.2	500		
6.8		8x16	0.15	140		16x20	0.2	500		
8.2		8x16	0.15	260	33	16x25	0.2	620		
10		8x16	0.15	275	47	16x30	0.2	756		
15		8x20	0.15	345	56	16x40	0.2	800		
22		10x16	0.15	475	68	18x30	0.2	900		
33	10x20	0.15	650	100	18x40	0.2	1200			
47	12.5x20	0.15	980	450V (2W)	1	8x12	0.2	82		
68	12.5x25	0.15	1300		1.5	8x12	0.2	85		
82	16x20	0.15	1380		1.8	8x12	0.2	88		
100	16x25	0.15	1494		2.2	8x16	0.2	95		
150	16x30	0.15	1989		2.8	8x16	0.2	99		
1	6.3x12	0.15	58		3.3	8x16	0.2	100		
1.5	6.3x12	0.15	66		4.7	10x16	0.2	130		
1.8	6.3x12	0.15	77		5.6	10x20	0.2	177		
2.2	6.3x12	0.15	81		6.8	10x20	0.2	215		
2.8	6.3x12	0.15	88		8.2	10x20	0.2	230		
3.3	6.3x12	0.15	112		10	10x25	0.2	300		
4.7	8x12	0.15	120		15	12.5x20	0.2	410		
5.6	8x12	0.15	126		22	12.5x25	0.2	530		
6.8	8x16	0.15	160			16x20	0.2	530		
8.2	8x16	0.15	260		33	16x25	0.2	670		
10	8x16	0.15	275		47	16x35	0.2	850		
15	8x20	0.15	378		56	18x30	0.2	1080		
250V (2E)	22	10x16	0.15		480	68	18x35	0.2	1300	
		10x20	0.15	500	100	18x40	0.2	1530		
	33	12.5x20	0.15	660	500V (2H)	10	12.5x20	0.24	288	
	47	12.5x20	0.15	980			12.5x25	0.24	302	
	68	16x25	0.15	1320		15	12.5x25	0.24	396	
	100	16x30	0.15	1500			16x20	0.24	396	
	150	16x35	0.15	2000		22	12.5x35	0.24	504	
	1	6.3x12	0.2	60			16x25	0.24	504	
	1.5	6.3x12	0.2	70		33	18x25	0.24	630	
	1.8	6.3x12	0.2	80		47	18x30	0.24	792	
2.2	8x12	0.2	90							

High Stability

可根据客户需要定制产品 Customer products are available on request.